

Smooth Down Wall

Safe & Easy operation of large storage basket.

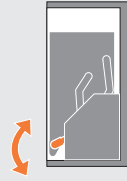
This product has been loved by many users since its launch because of enhancing safety and noise reduction.



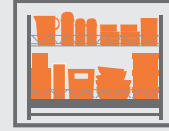
Easy accessibility



Quietness



3 different operating settings



Large storage capacity

Lifting endurance test of 40,000 cycles.

Durability



Feature

Easy accessibility to basket by the damper (patented) and spring. It descends slowly by damper.

Easy switching in three different operating settings depending on storage weight. Easy installation to wall cabinet and pilot hole is unnecessary.

Sizes

Cabinet Width \ Cabinet Height	W900	W750	W600
H700	●	●	●
H600	●	●	●
H500	●	●	●

Switching operating settings

3 different operation settings by selection of levers at both side.



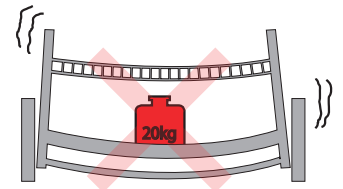
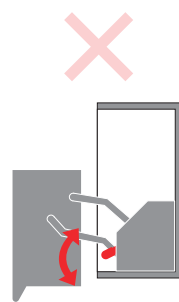
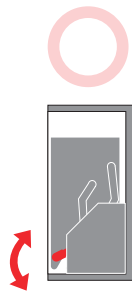
Storage Capacity \ Lever	Left Lever	Right Lever
Approximately 0 ~ 5kg	Light	Light
Approximately 5 ~ 10kg	Heavy	Light
	Light	Heavy
Approximately 10 ~ 15kg	Heavy	Heavy

Caution

Please read instruction manual before product usage.

Please do not switch the lever without storage rack fully returned to cabinet.

Please do not load more than 15kg into the storage basket.

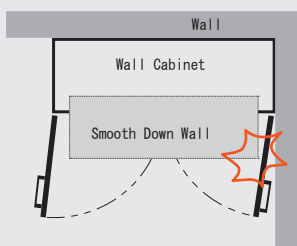


Operating strength is not changed when the rack is fully returned to cabinet.

Maximum loading capacity is 15kg

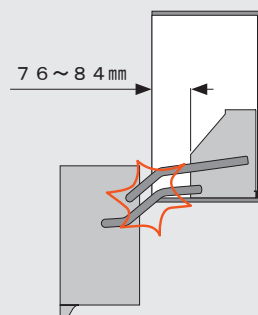
Caution

When cabinet doors cannot be fully opened, there is risk of not able to pull out the storage basket.

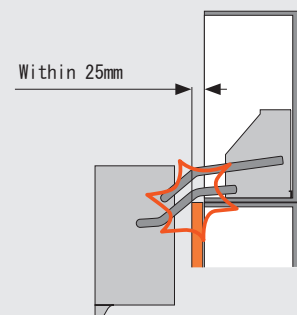


Position for base plate

Please position the product from front edge.

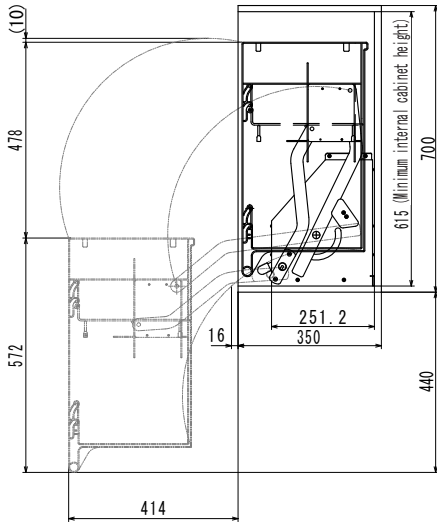


If there is a door on the bottom of the cabinet to install the product, it might hit the door unless 25mm or less from the end face of the cabinet.

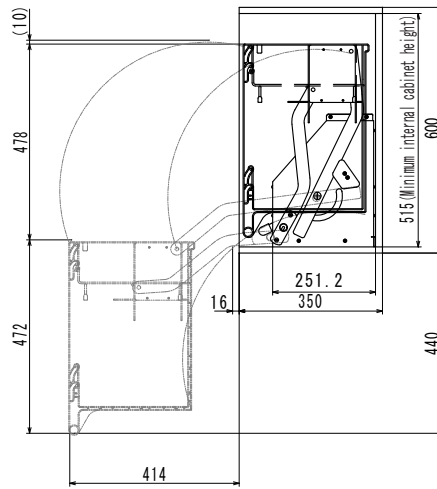


Operating range dimensions

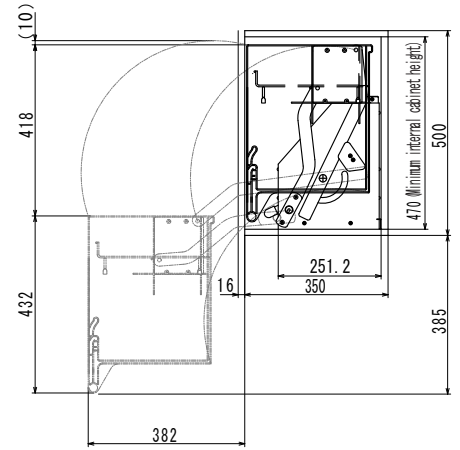
JDS907



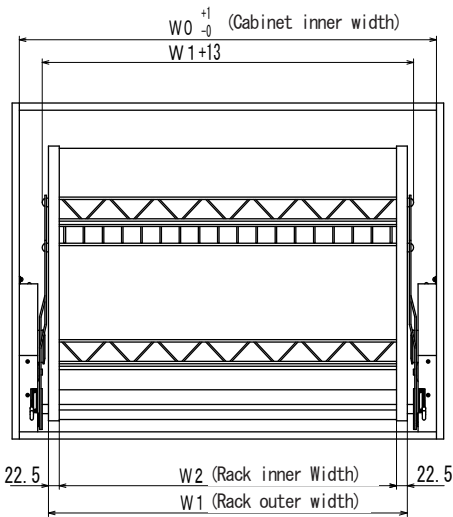
JDS756



JDS605

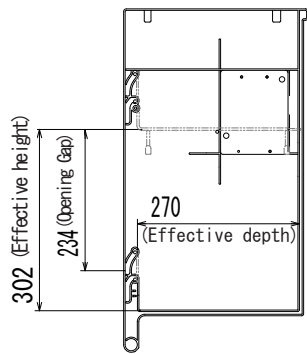


Front Dimension

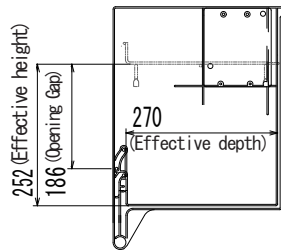


Item no.	W0	W1	W2
JDS907	869	748	703
JDS757	719	598	553
JDS607	569	448	403

Size of storage basket (lower)

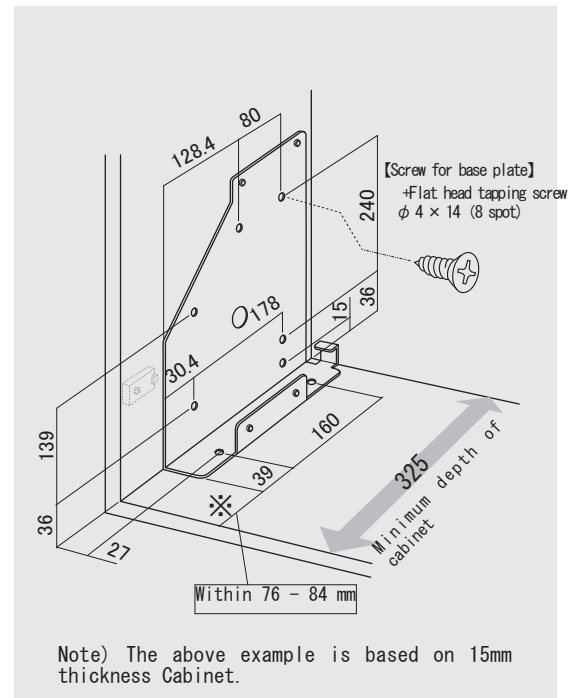


H700/H600



H500

Screw and Base plate position



Note) The above example is based on 15mm thickness Cabinet.

Specifications

Item no.	Product width	Rack width	Product weight	Operation load ※1	Maximum loading capacity	Settings
JDS907	869 × 325 × H 595	748 × 300 × H572	11.2 kg	110N	15 kg	3 settings (Heavy-Heavy / Heavy-Light / Light-Light) ※1 In the case of maximum loading capacity
JDS756	719 × 325 × H 495	598 × 300 × H472	10.2 kg	115N	15 kg	
JDS605	569 × 325 × H 450	448 × 300 × H432	9.2 kg	120N	10 kg	

TAIYO TAIYO PARTS CO., LTD.

MAIN OFFICE

No. 1-23, Kita Yashimo, Kita-ku, Sakai-City, Osaka, Japan Zip: 591-8014 TEL: 81-72-2599339 FAX: 81-72-2599155

TOKYO SALES OFFICE

2-29-9, Tamagawa, Ota-ku, Tokyo, Japan Zip: 146-0095 TEL: 81-3-57412602 FAX: 81-3-57412603

ISHIHARA FACTORY

1-142, Ishihara-cho, Higashi-ku, Sakai-city, Osaka, Japan Zip: 599-8102 TEL: 81-72-2408720 FAX: 81-72-2408721

<http://www.taiyoparts.co.jp>

- The appearance and specifications of the product may be subject to change without prior notice.
- The color of the products in the catalog might be slightly different from the actual color of the product in relation to print.